

APP CRS <b>259°</b>	Rwy Idg TDZE Apt Elev	N/A N/A <b>556</b>
------------------------	-----------------------------	--------------------------

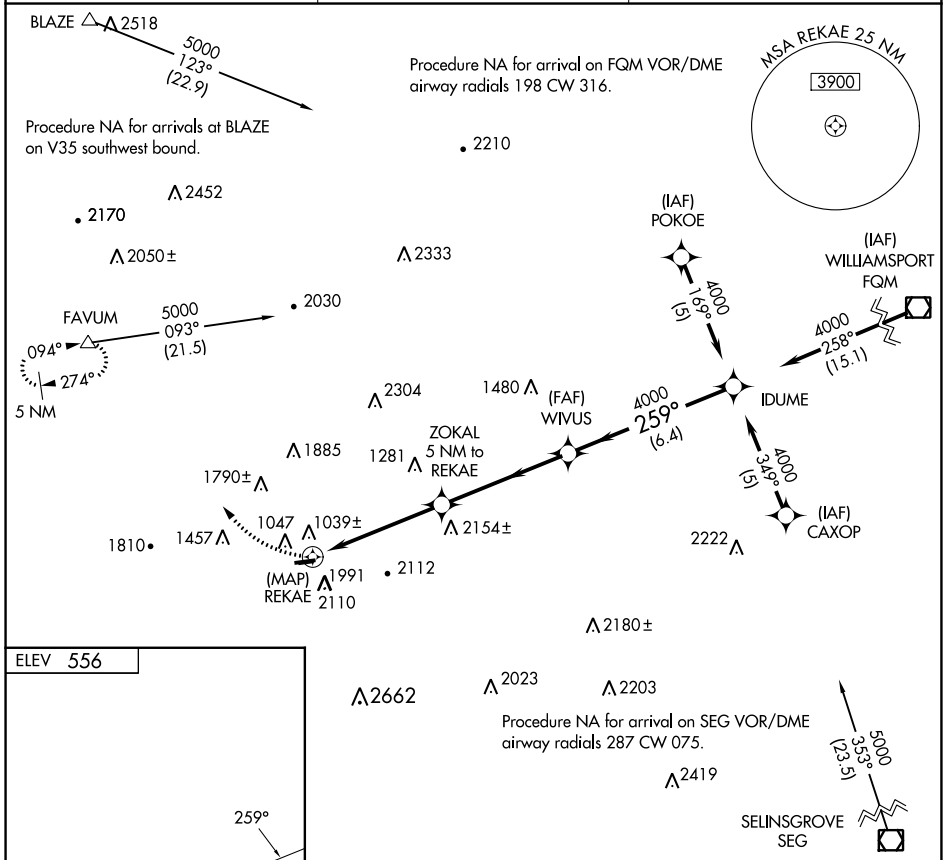
# RNAV (GPS)-A

WILLIAM T PIPER MEML (LHV)

**NA** Use Williamsport Rgnl altimeter setting. Circling NA south of Rwy 09-27. Procedure NA at night. DME/DME RNP-0.3 NA. Circling NA to Rwy 9R-27L. Circling NA south of Rwy 9L-27R.

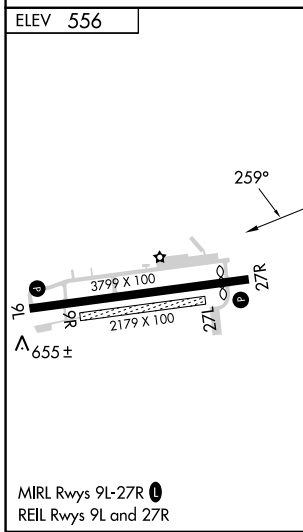
MISSED APPROACH: Climbing right turn to 5000 direct FAVUM WP and hold.

IPT ASOS <b>125.225</b>	NEW YORK CENTER <b>134.8 338.3</b>	UNICOM <b>122.8 (CTAF)</b>
----------------------------	---------------------------------------	-------------------------------



NE-4, 22 FEB 2024 to 21 MAR 2024

NE-4, 22 FEB 2024 to 21 MAR 2024



CATEGORY	A	B	C	D
	2440-1¼ 1884 (1900-1¼)	2440-1½ 1884 (1900-1½)	2440-3 1884 (1900-3)	NA