

WAAS CH 97633 W11A	APP CRS 109°	Rwy Idg TDZE Apt Elev	3318 1172 1174
--	------------------------	-----------------------------	---

RNAV (GPS) RWY 11

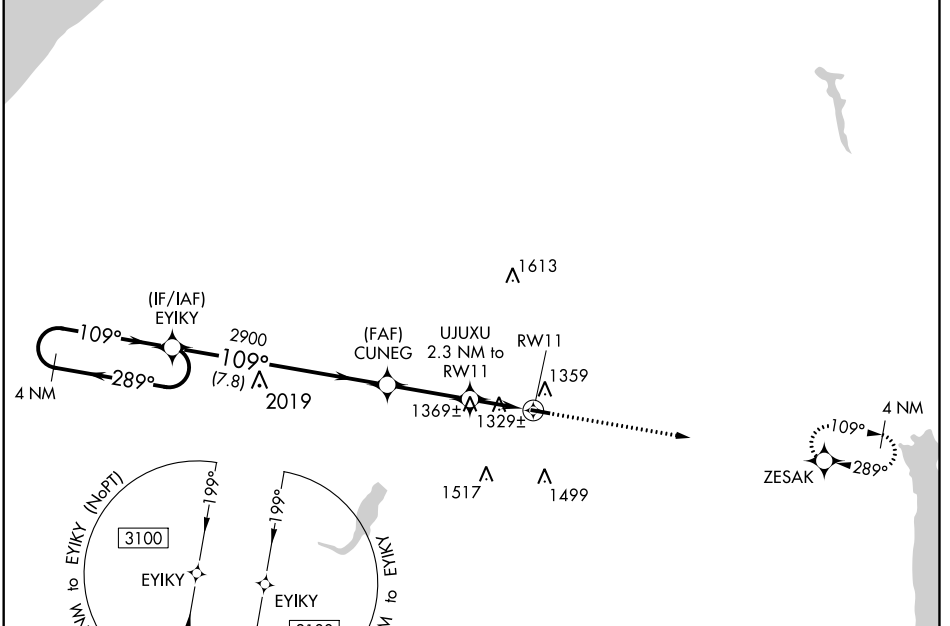
GEAUGA COUNTY (7G8)

NA DME/DME RNP-0.3 NA. Use Youngstown-Warren altimeter setting; when not received use Cuyahoga County altimeter setting and increase all MDA 40 feet, and increase LNAV and Circling Cat C visibility 1/4 mile. Procedure NA at night. Helicopter visibility reduction below 1 SM not authorized.

MISSED APPROACH:
Climb to 4000 direct ZESAK and hold.

CLEVELAND APP CON
125.35 354.025

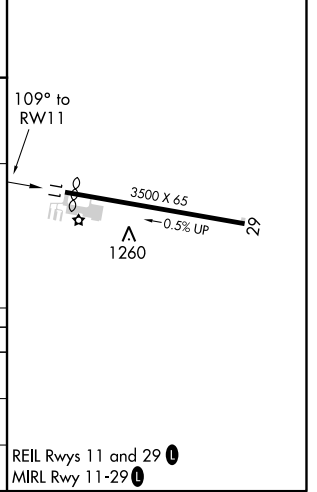
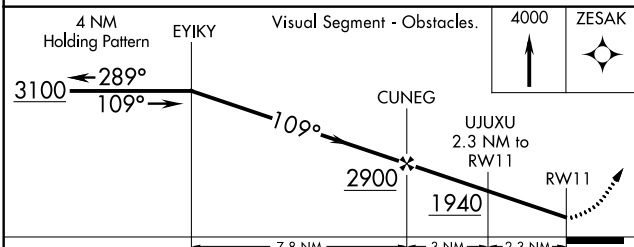
UNICOM
123.0 (CTAF)



EC-2: 01 FEB 2018 to 01 MAR 2018

EC-2: 01 FEB 2018 to 01 MAR 2018

ELEV 1174	TDZE 1172
-----------	-----------



CATEGORY	A	B	C	D
LP MDA	1640-1	468 (500-1)	1640-1 3/8 468 (500-1 3/8)	NA
LNAV MDA	1680-1	508 (600-1)	1680-1 3/8 508 (600-1 3/8)	NA
C CIRCLING	1760-1	586 (600-1)	1900-2 726 (800-2)	NA

REIL Rwy 11 and 29 **0**
MIRL Rwy 11-29 **0**

WAAS CH 61233 W29A	APP CRS 289°	Rwy Idg TDZE 1167 Apt Elev 1174	3500 1167 1174
--	------------------------	---	---

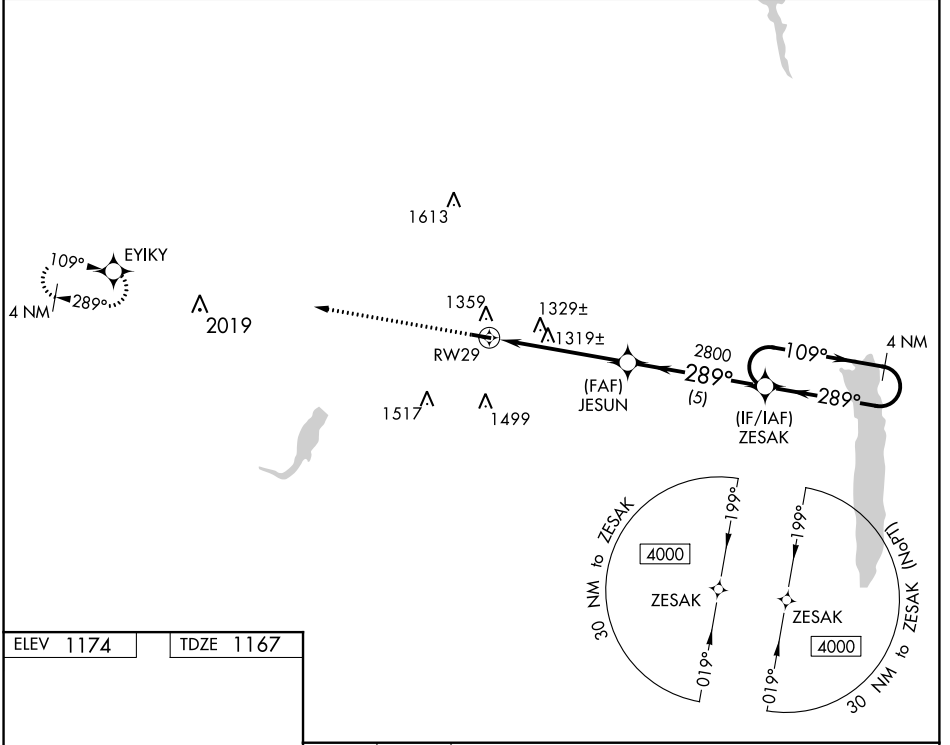
RNAV (GPS) RWY 29

GEAUGA COUNTY (7G8)

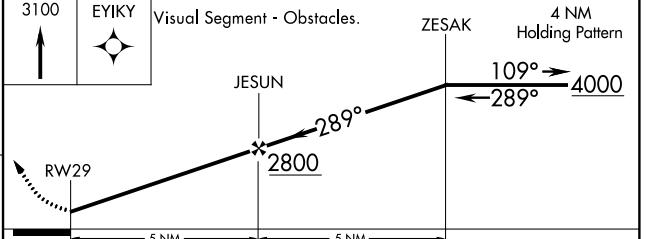
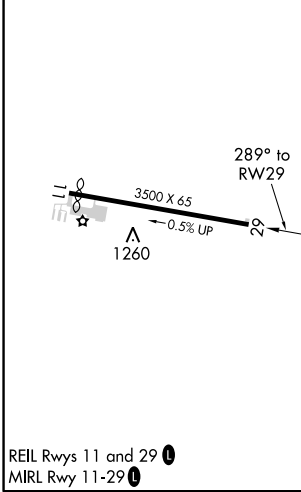
NA DME/DME RNP-0.3 NA. Use Youngstown-Warren altimeter setting; when not received use Cuyahoga County altimeter setting and increase all MDA 40 feet and increase LNAV Cat C visibility 1/8 mile and Circling Cat C visibility 1/4 mile. Procedure NA at night. Helicopter visibility reduction below 1 SM NA.

MISSED APPROACH:
Climb to 3100 direct EYIKY and hold.

CLEVELAND APP CON 125.35 354.025	UNICOM 123.0 (CTAF) 0
--	---------------------------------



ELEV 1174	TDZE 1167
-----------	-----------



CATEGORY	A	B	C	D
LP MDA	1620-1	453 (500-1)	1620-1 ³ / ₈ 453 (500-1 ³ / ₈)	NA
LNAV MDA	1640-1	473 (500-1)	1640-1 ³ / ₈ 473 (500-1 ³ / ₈)	NA
C CIRCLING	1760-1	586 (600-1)	1900-2 726 (800-2)	NA

REIL Rwy 11 and 29 0
MIRL Rwy 11-29 0

EC-2: 01 FEB 2018 to 01 MAR 2018

EC-2: 01 FEB 2018 to 01 MAR 2018

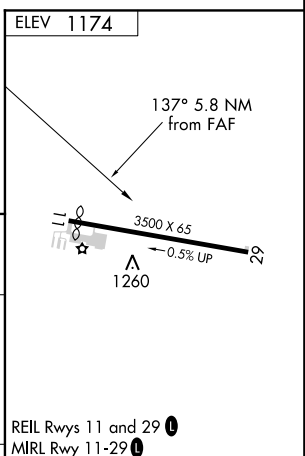
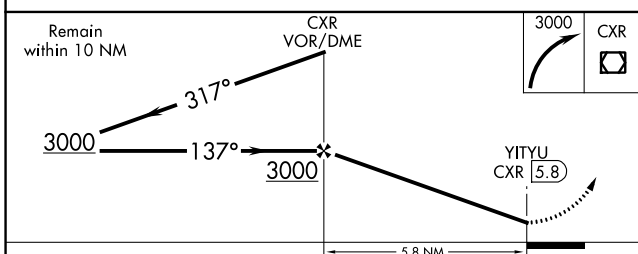
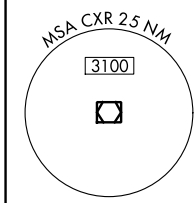
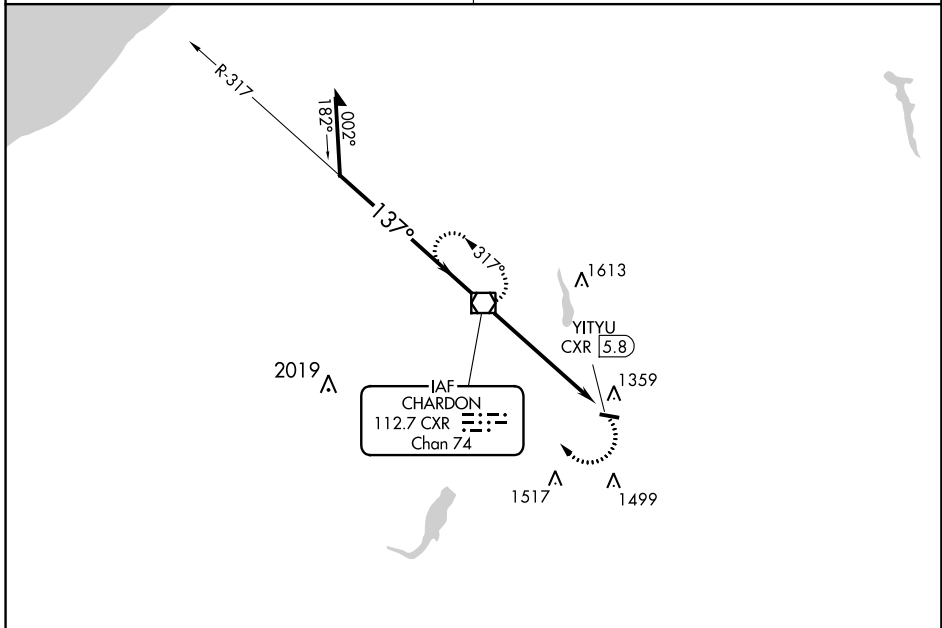
VOR/DME CXR 112.7 Chan 74	APP CRS 137°	Rwy Idg TDZE Apt Elev	N/A N/A 1174
---	------------------------	-----------------------------	---

VOR-A
GEAUGA COUNTY (7G8)

NA Use Youngstown-Warren altimeter setting; when not received use Cuyahoga County altimeter setting and increase all MDA 40 feet and increase Circling Cat C visibility ¼ mile. Procedure NA at night. Helicopter visibility reduction below 1 SM not authorized.

MISSED APPROACH:
Climbing right turn to 3000
direct CXR VOR/DME and hold.

CLEVELAND APP CON 125.35 354.025	UNICOM 123.0 (CTAF) 0
---	--



CATEGORY	FAF to MAP 5.8 NM					
	A	B	C	D		
CIRCLING	1880-1	706 (800-1)	1900-2 726 (800-2)	NA		
	Knots	60	90	120	150	180
	Min:Sec	5:48	3:52	2:54	2:19	1:56

EC-2: 01 FEB 2018 to 01 MAR 2018

EC-2: 01 FEB 2018 to 01 MAR 2018